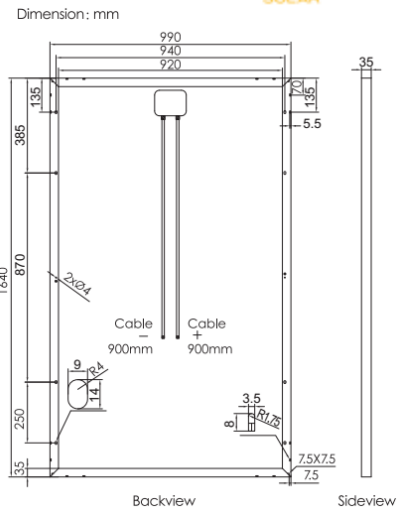
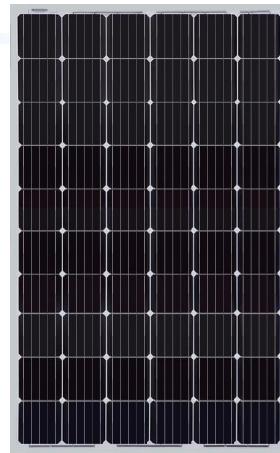


Mono Poly

LP156*156-M-60

Rated Power 305-310W



| Product Series | LP156*156-M-60 | |
|-----------------------|----------------|--------|
| Power | 305W | 310W |
| Open Circuit Voltage | 40.05V | 40.25V |
| Short Circuit Current | 9.85A | 9.94A |
| Maximum Power Voltage | 32.51V | 32.74V |
| Maximum Power Current | 9.38A | 9.47A |
| Module Efficiency | 18.8% | 19.1% |

| Product Characteristics | | | |
|-------------------------|-----------------|-------------------|---------------------------------|
| Weight | 18kg | Junction Box | IP67 |
| Module Size | 1640*990*35mm | Frame | Aluminum Alloy |
| Cell Amount | 60 pcs | Cable | 4mm ² , Length 900mm |
| Cell Size | 156.75*156.75mm | Connection | GZX1500 |
| Maximum System Voltage | 1500V | Application Level | Class A |

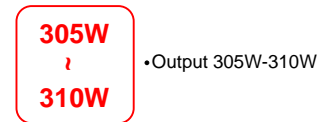
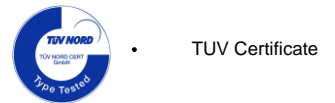
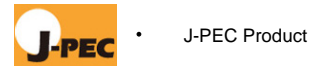
| Packing Configuration | | | |
|-----------------------|-------------------------------|-----------------------|------------|
| Modules/Pallet | 30 pieces | Modules/40' container | 840 pieces |
| Packing Description | 28 Pallets, Total=30 X 28=840 | | |

| Temperature Characteristics | | Maximum Rating | |
|-----------------------------|-----------|-----------------------|---------------|
| NOCT | 45±2°C | Output Tolerance | ±3%W |
| Temp Coefficient of ISC | +0.06%/°C | Operating Temperature | -40°C ~ +85°C |
| Temp Coefficient of VOC | -0.30%/°C | Wind Load/Snow Load | 2400pa/5400pa |
| Temp Coefficient of Pmax | -0.40%/°C | Fuse Current | 15A |

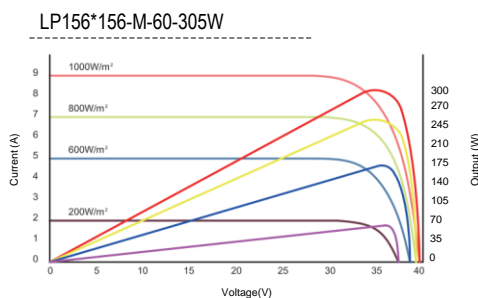


•10-YEAR 90% Maximum Output

•25-YEAR 80% Maximum Output



Current -Voltage Curve at Various Light Levels



Output at Various Temperatures

