



LEAPTON
SOLAR

Monocrystalline

LP158*158-M-72-MH

Rated Power 390-410W



9BB Cell
More uniform current collection capability, reducing the current heat loss of the internal cells.



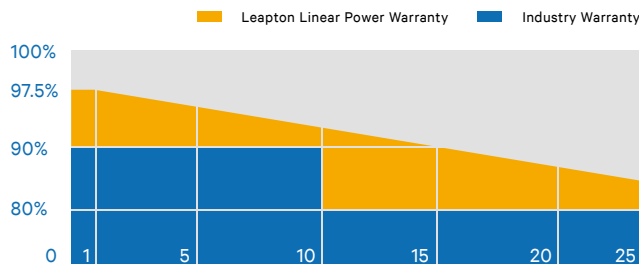
Low Light Features
Higher performance under low light environment.



Higher Output Power
The output power of 144 half-cells Monocrystalline modules is up to 410W.



Load Capacity
Mechanical load tests including wind load 2400 Pa and snow load 5400 Pa done by TUV Nord.



• IEC61215
• IEC61730

Headquarter : Leapton Energy Co., Ltd.

📍 Tosei Bldg. 6F, 1-2-1 Aioi-cho, Chuo-ku Kobe-shi, Hyogo, 650-0025, Japan

☎ +81-78-382-3182

🌐 www.leaptonenergy.jp

Factory : Leapton Solar (Changshu) Co., Ltd.

📍 No.55, Sunshine Avenue, Changshu City, Jiangsu, China

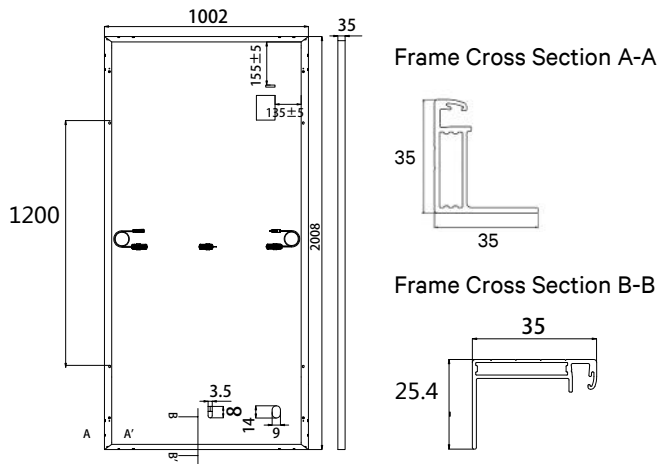
☎ +86-512-88800068

✉ info@leaptonenergy.com

🌐 www.leaptonpv.com



MECHANICAL DIAGRAMS



SPECIFICATIONS

Weight	22.5kg
Dimensions	2008mm*1002mm*35mm
Cell Amount	72*2 pcs
Maximum System Voltage	1500V
Junction Box	IP68
Frame	Aluminum Alloy
Cable	4mm ² , Landscape: N 1300mm/P 1300mm Portrait: N 150mm/P 300mm
Connector	PV-GZX 1500 PV-TS02
Application Level	Class A
Country of Manufacturer	China

ELECTRICAL PARAMETERS AT STC

Power	LP158*158-M-72-MH-390W	LP158*158-M-72-MH-395W	LP158*158-M-72-MH-400W	LP158*158-M-72-MH-405W	LP158*158-M-72-MH-410W
Open Circuit Voltage	49.30V±5%	49.50V±5%	49.70V±5%	49.80V±5%	50.00V±5%
Short Circuit Current	10.12A±5%	10.21A±5%	10.30A±5%	10.21A±5%	10.25A±5%
Maximum Power Voltage	41.00V	41.25V	41.50V	42.30V	42.60V
Maximum Power Current	9.51A	9.58A	9.64A	9.58A	9.63A
Module Efficiency	19.0%	19.3%	19.6%	20.1%	20.4%

* Under Standard Test Conditions (STC) of irradiance of 1000 W/m², spectrum AM 1.5 and cell temperature of 25°C.

ELECTRICAL PARAMETERS AT NMOT

Power	294W	298W	302W	305W	309W
Open Circuit Voltage	48.00V	48.20V	48.40V	47.50V	47.70V
Short Circuit Current	8.03A	8.10A	8.18A	8.23A	8.27A
Maximum Power Voltage	39.95V	39.20V	39.20V	39.90V	40.20V
Maximum Power Current	7.55A	7.60A	7.60A	7.65A	7.69A
Module Efficiency	14.6%	14.8%	15.0%	15.2%	15.4%

* Under Nominal Module Operating Temperature (NMOT), irradiance of 800 W/m², spectrum AM 1.5, ambient temperature 20°C, wind speed 1 m/s.

TEMPERATURE CHARACTERISTICS

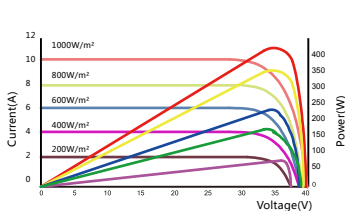
NMOT	45±3°C	Temp Coefficient of ISC	+0.05%/°C
Temp Coefficient of VOC	-0.28%/°C	Temp Coefficient of Pmax	-0.36%/°C

PACKING CONFIGURATION

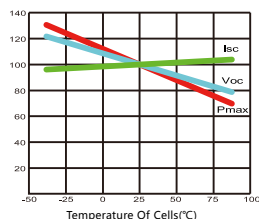
Modules/Pallet	31 Pieces	Modules/40'Container	759 Pieces
Packing Description	22 Pallets, Total=(31+31+7)x11=759 Pieces		

CHARACTERISTICS

LP158*158-M-72-MH-390W



LP158*158-M-72-MH-390W



MAXIMUM RATING

Tolerance for output power	±3%
Operating Temperature	-40°C~+85°C
Wind Load/Snow Load	2400pa/5400pa
Fuse Current	15A

