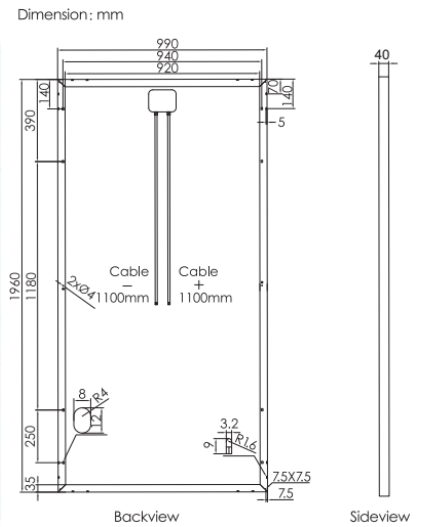


Mono Poly

LP156*156-M-72

Rated Power 370-375W



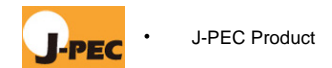
Product Series		LP156*156-M-72	
Power	370W		375W
Open Circuit Voltage	48.09V		48.30V
Short Circuit Current	9.92A		10.04A
Maximum Power Voltage	39.40V		39.60V
Maximum Power Current	9.39A		9.47A
Module Efficiency	19.1%		19.3%



•10-YEAR 90% Maximum Output

•25-YEAR 80% Maximum Output

Product Characteristics			
Weight	21.5kg	Junction Box	IP67
Module Size	1960*990*40mm	Frame	Aluminum Alloy
Cell Amount	72 pcs	Cable	4mm ² , Length 1100mm
Cell Size	156.75*156.75mm	Connection	GZX1500
Maximum System Voltage	1500V	Application Level	Class A

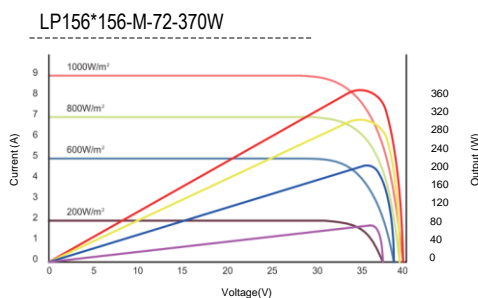


Packing Configuration			
Modules/Pallet	26 pieces	Modules/40' container	624 pieces
Packing Description	24 Pallets, Total=26 X 24=624		



Temperature Characteristics		Maximum Rating	
NOCT	45±2°C	Output Tolerance	±3%W
Temp Coefficient of ISC	+0.06%/°C	Operating Temperature	-40°C ~ +85°C
Temp Coefficient of VOC	-0.30%/°C	Wind Load/Snow Load	2400pa/5400pa
Temp Coefficient of Pmax	-0.40%/°C	Fuse Current	15A

Current -Voltage Curve at Various Light Levels



Output at Various Temperatures

