

# LP158\*158-M-60-MH

Rated Power 325-340W



**9BB Cell**  
More uniform current collection capability, reducing the current heat loss of the internal cells.



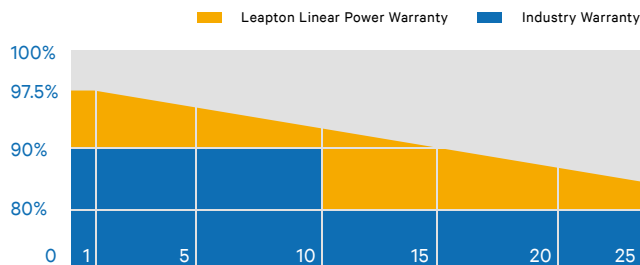
**Low Light Features**  
Higher performance under low light environment.



**Higher Output Power**  
The output power of 120 half-cells Monocrystalline modules is up to 340W.

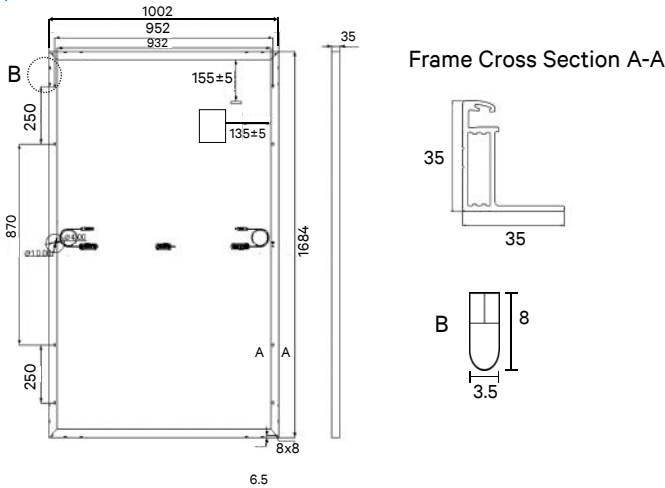


**Load Capacity**  
Mechanical load tests including wind load 2400 Pa and snow load 5400 Pa done by TUV Nord.



• IEC61215  
• IEC61730

### MECHANICAL DIAGRAMS



### SPECIFICATIONS

Weight	19kg
Dimensions	1684mm*1002mm*35mm
Cell Amount	60*2 pcs
Maximum System Voltage	1500V
Junction Box	IP68
Frame	Aluminum Alloy
Cable	4mm <sup>2</sup> , Landscape: N 1100mm/P 1100mm Portrait: N 150mm/P 300mm
Connector	PV-GZX 1500 PV-TS02
Application Level	Class A
Country of Manufacturer	China

### ELECTRICAL PARAMETERS AT STC

Power	LP158*158-M -60-MH-325W	LP158*158-M -60-MH-330W	LP158*158-M -60-MH-335W	LP158*158-M -60-MH-340W
Open Circuit Voltage	41.10V±5%	41.30V±5%	40.80V±5%	41.10V±5%
Short Circuit Current	10.20A±5%	10.24A±5%	10.50A±5%	10.60A±5%
Maximum Power Voltage	33.60V	33.80V	34.00V	34.20V
Maximum Power Current	9.68A	9.76A	9.85A	9.94A
Module Efficiency	19.3%	19.6%	19.9%	20.1%

\* Under Standard Test Conditions (STC) of irradiance of 1000 W/m<sup>2</sup>, spectrum AM 1.5 and cell temperature of 25°C.

### ELECTRICAL PARAMETERS AT NMOT

Power	242W	246W	253W	257W
Open Circuit Voltage	38.00V	38.20V	38.40V	38.70V
Short Circuit Current	8.54A	8.65A	8.46A	8.55A
Maximum Power Voltage	31.60V	31.80V	31.60V	31.80V
Maximum Power Current	7.66A	7.74A	8.01A	8.08A
Module Efficiency	14.3%	14.6%	15.0%	15.2%

\* Under Nominal Module Operating Temperature (NMOT), irradiance of 800 W/m<sup>2</sup>, spectrum AM 1.5, ambient temperature 20°C, wind speed 1 m/s.

### TEMPERATURE CHARACTERISTICS

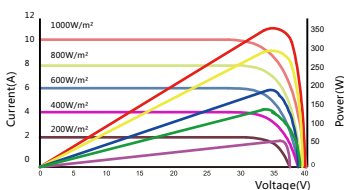
NMOT	45±3°C	Temp Coefficient of ISC	+0.05%/°C
Temp Coefficient of VOC	-0.28%/°C	Temp Coefficient of Pmax	-0.36%/°C

### PACKING CONFIGURATION

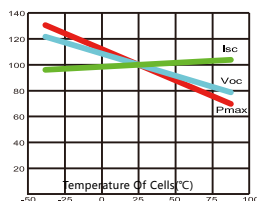
Modules/Pallet	31 Pieces	Modules/40'Container	897 Pieces
Packing Description	26 Pallets, Total=(31+31+7)x13=897 Pieces		

### CHARACTERISTICS

LP158\*158-M-60-MH-325W



LP158\*158-M-60-MH-325W



### MAXIMUM RATING

Tolerance for output power	±3%
Operating Temperature	-40°C~+85°C
Wind Load/Snow Load	2400pa/5400pa
Fuse Current	15A

